

LN240(30)M-3-xxx(250-270W mono)

Why linuo modules?



(0,+5W) 100% plus tolerance



3 times of 100% EL



25 years Irrevocable warranty insurance



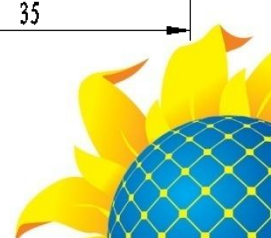
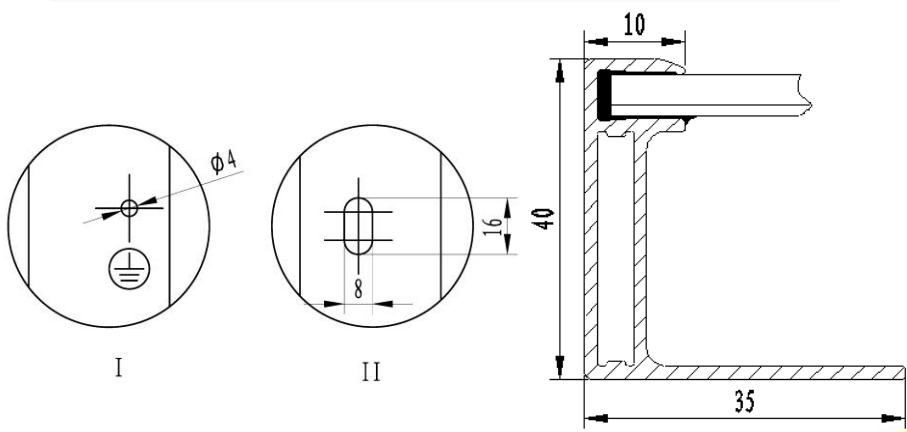
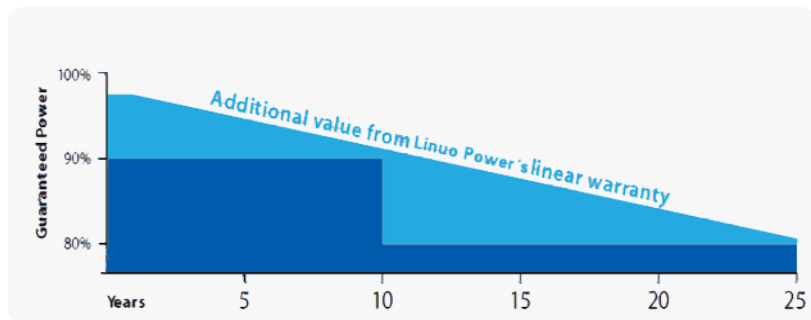
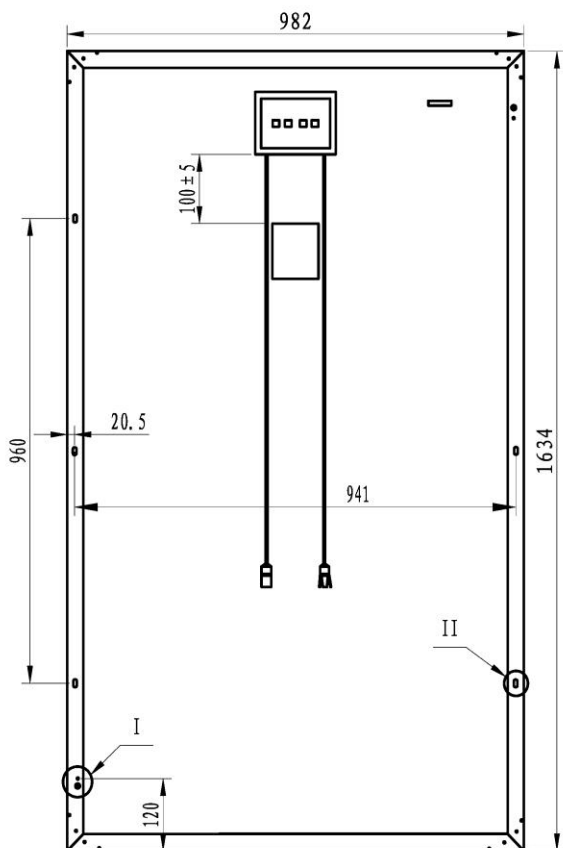
5400pa snow load and 2400pa wind load



High performance in low solar irradiation.



Resistance to ammonia & salt mist corrosion



Electrical data:

Pmax (W)	Uoc (V)	Isc (A)	Umpp (V)	Impp (A)	FF	Module efficiency	Max system voltage	Max series fuse
250	38.19	8.81	30.38	8.23	74.31%	15.58%		
255	38.32	8.87	30.73	8.3	75.04%	15.89%		
260	38.44	8.93	31.07	8.37	75.76%	16.20%	1000V	15A
265	38.54	8.99	31.4	8.44	76.49%	16.52%		
270	38.7	9.04	31.77	8.5	77.19%	16.83%		

Temperature rating

temperature cycling range -40°C to +85°C
 norminal operating cell temperature 48 °C
 temperature coefficient of Isc: 0.063%/°C
 temperature coefficient of Voc -0.431%/°C
 temperature coefficient of Pmax -0.357%/°C

Mechanical data

module dimension: 1634*982*40mm
 weight: 20.5kg
 mechanical load: 5400 pascals
 number of cells: 60pcs
 thickness of glass: 3.2mm

Warranty

10 years warranty
 on materials workmanship and module defect.
 25 years performance warranty
 (10 years at 90%, 25 years at 80%)

Packaging configuration

modules per pallet: 25 pcs
 modules per 40' HQ: 700 pcs

I-V, power curve of 255W mono module

