

## LN240(30)P-3-xxx(245-265W poly)

### Why linuo modules?



(0,+5W) 100% plus tolerance



3 times of 100% EL



25 years Irrevocable warranty insurance



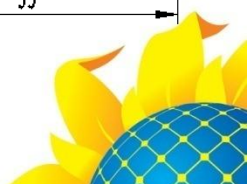
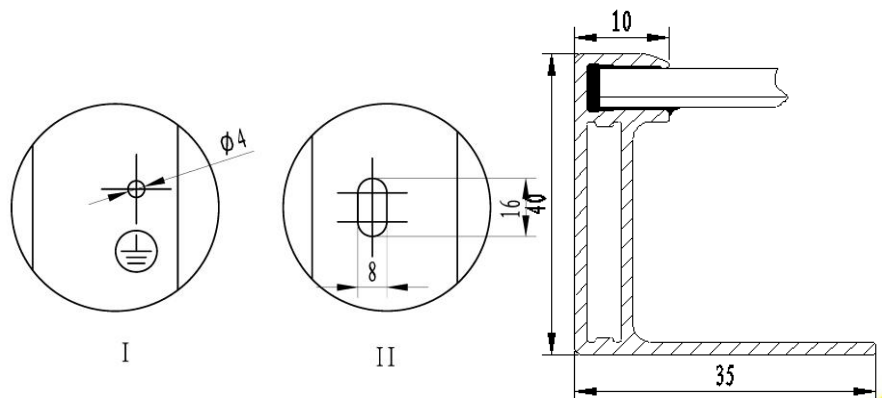
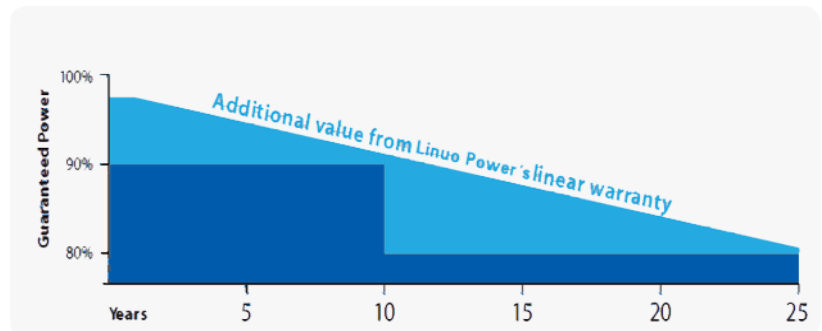
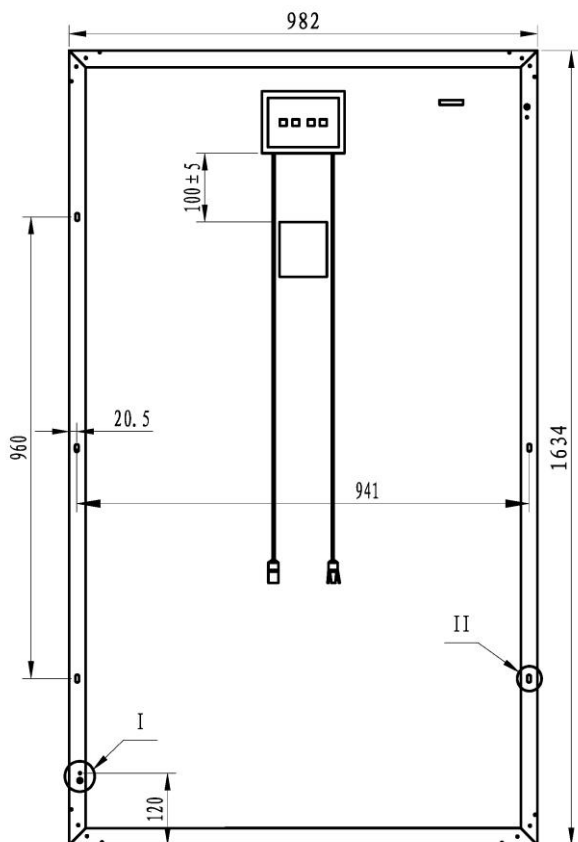
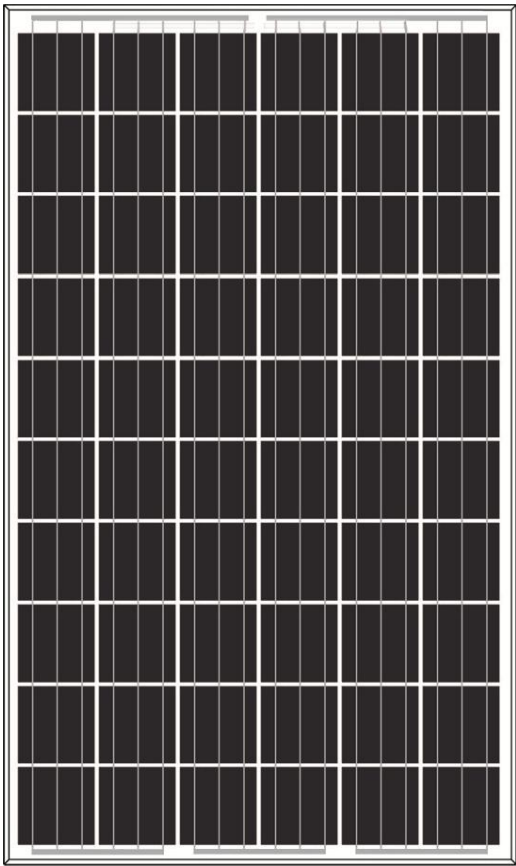
5400pa snow load and 2400pa wind load



High performance in low solar irradiation.



Resistance to ammonia & salt mist corrosion



## Electrical data

Pmax (W)	Uoc (V)	Isc (A)	Umpp (V)	Impp (A)	FF	Module efficiency	Max system voltage	Max series fuse
245	37.6	8.65	30.18	8.12	75.35%	15.27%		
250	37.99	8.69	30.49	8.2	75.73%	15.58%	1000V	15A
255	38.32	8.76	30.76	8.29	75.97%	15.89%		
260	38.66	8.82	31.03	8.38	76.26%	16.20%		
265	39.04	8.86	31.33	8.46	76.63%	16.52%		

## Temperature rating

temperature cycling range       $-40^{\circ}\text{C}$  to  $+85^{\circ}\text{C}$   
 norminal operating cell temperature       $48^{\circ}\text{C}$   
 temperature coefficient of Isc:       $0.058\%/^{\circ}\text{C}$   
 temperature coefficient of Voc       $-0.389\%/^{\circ}\text{C}$   
 temperature coefficient of Pmax       $-0.460\%/^{\circ}\text{C}$

## Mechanical data

module dimension:       $1634*982*40\text{mm}$   
 weight:       $20.5\text{kg}$   
 mechanical load:       $5400$  pascals  
 number of cells:       $60\text{pcs}$   
 thickness of glass:       $3.2\text{mm}$

## Warranty

10 years warranty on materials workmanship and module defect.

25 years performance warranty ( 10 years at 90%, 25 years at 80%)

## Packaging configuration

modules per pallet:       $25$  pcs  
 modules per 40' HQ:       $700$  pcs

I-V power curve of 250W poly module

