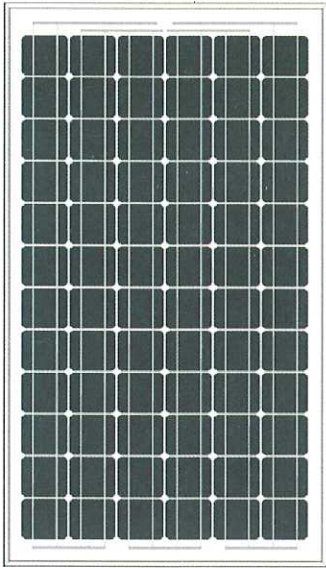


LN280(36)M-3-xxx (290-315W mono)



Why Linuo Modules?



(0,+5W) plus tolerance



3 times of 100% EL



25 years Irrevocable warranty insurance



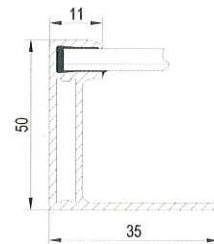
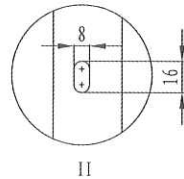
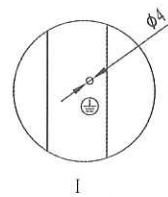
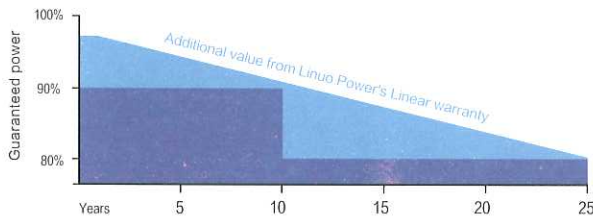
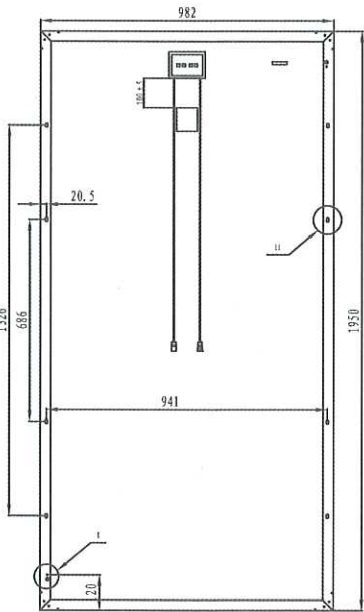
5400pa snow load and 2400pa wind load



High performance in low solar irradiation



Resistance to ammonia & salt mist corrosion



- Add: Linuo Hi-tech Park, No.30766 East Jingshi Road, Jinan, Shandong, China
- Hotline: 0086-531-8872-9696(International) 400-658-61999(CN)
- Email: pv@linuo.com

Electrical data

Pmax (W)	Uoc (V)	Isc (A)	Umpp (V)	Impp (A)	FF	Module efficiency	Max system voltage	Max series fuse
290	45.52	8.73	35.81	8.10	72.99%	15.14%	1000V	15A
295	45.67	8.77	36.16	8.16	73.67%	15.41%		
300	45.82	8.81	36.50	8.22	74.33%	15.67%		
305	45.97	8.85	36.84	8.28	74.98%	15.93%		
310	46.15	8.87	37.22	8.33	75.74%	16.19%		
315	46.30	8.92	37.55	8.39	76.28%	16.45%		

Temperature rating

temperature cycling range:	-40°C to +85°C
nominal operating cell temperature:	48 °C
temperature coefficient of Isc:	0.063%/°C
temperature coefficient of Voc:	-0.431%/°C
temperature coefficient of Pmax:	-0.357%/°C

Warranty

10 years warranty
on materials workmanship and module defect
25 years performance warranty
(10 years at 90%, 25 years at 80%)

Mechanical data

module dimension:	1950*982*50mm
weight:	23.5kg
mechanical load:	5400 pascals
number of cells:	72pcs
thickness of glass:	4.0mm

Packaging configuration

modules per pallet:	20 pcs
modules per 40'HQ:	440pcs

I-V curve of 295W mono module

