

## LN280(36)P-3-xxx (290-315W poly)

### Why linuo modules?



(0,+5W) 100% plus tolerance



3 times of 100% EL



25 years Irrevocable warranty insurance



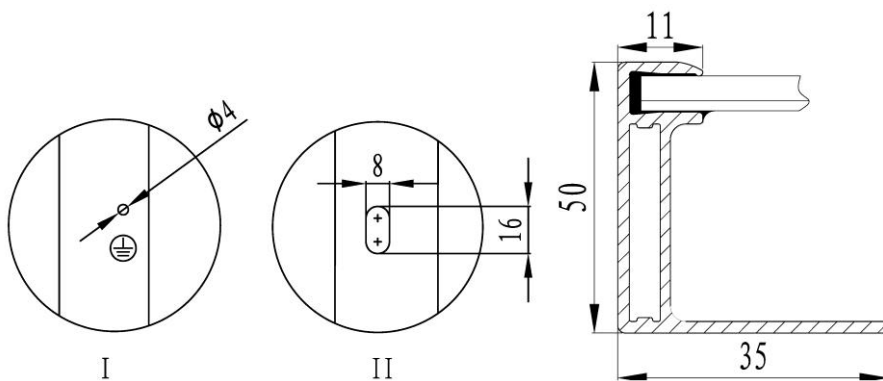
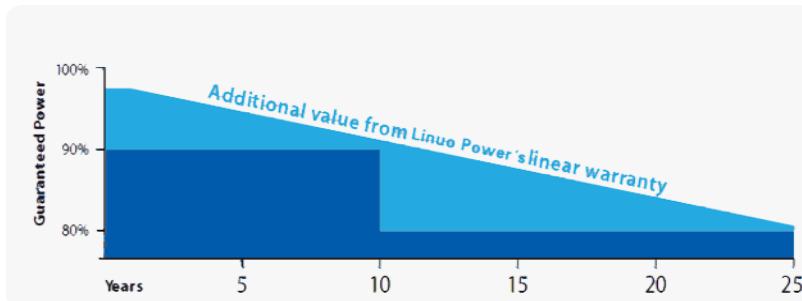
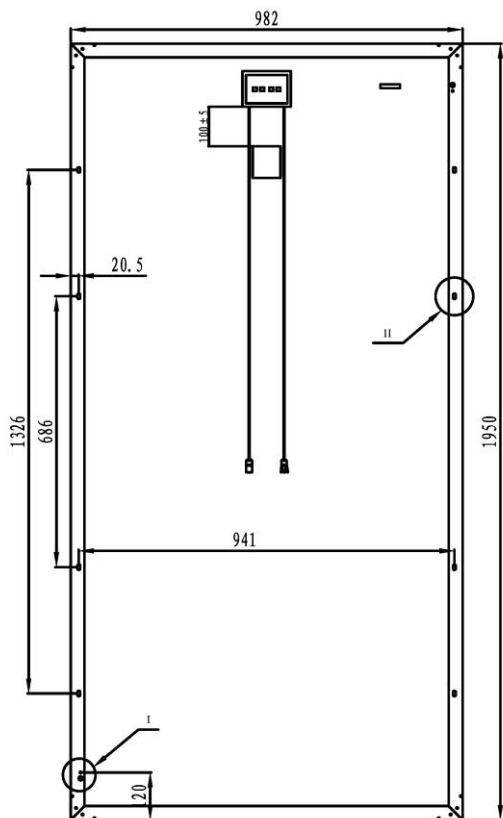
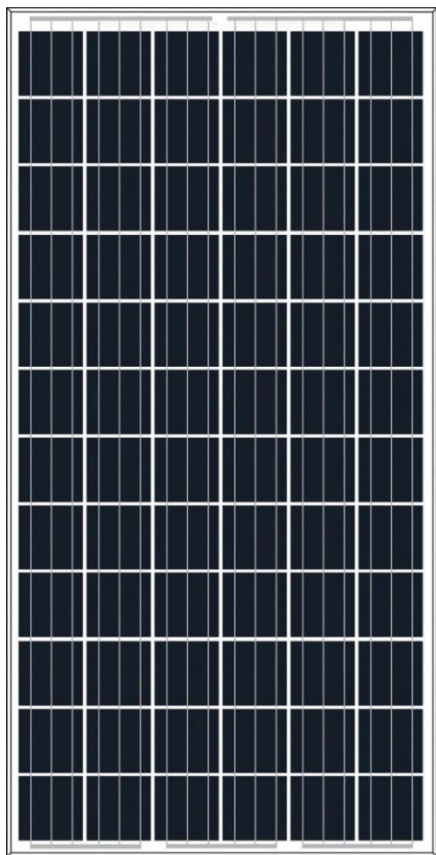
5400pa snow load and 2400pa wind load



High performance in low solar irradiation.



Resistance to ammonia & salt mist corrosion



## ■ Electrical data

Pmax (W)	Uoc (V)	Isc (A)	Umpp (V)	Impp (A)	FF	Module efficiency	Max system voltage	Max series fuse
290	44.7	8.53	36.39	7.97	76.07%	15.14%	1000V	15A
295	44.82	8.62	36.56	8.07	76.37%	15.41%		
300	44.94	8.72	36.86	8.14	76.57%	15.67%		
305	45.06	8.83	37.02	8.24	76.67%	15.93%		
310	45.18	8.92	37.26	8.32	76.92%	16.19%		
315	45.26	9.02	37.46	8.41	77.17%	16.45%		

## ■ Temperature rating

temperature cycling range	-40°C to +85°C
norminal operating cell temperature	48 °C
temperature coefficient of Isc:	0.058%/°C
temperature coefficient of Voc	-0.389%/°C
temperature coefficient of Pmax	-0.460%/°C

## ■ Mechanical data

module dimension:	1950*982*50mm
weight:	23.5kg
mechanical load:	5400 pascals
number of cells:	72pcs
thickness of glass:	4.0mm

## ■ Warranty

10 years warranty  
 on materials workmanship and module defect.  
 25 years performance warranty  
 ( 10 years at 90%, 25 years at 80%)

## ■ Packaging configuration

modules per pallet:	20 pcs
modules per 40' HQ:	440 pcs

I-V curve of 295W poly module

